

FIPA



Fancoil series



FIPA is the result of careful study in order to achieve higher heating and cooling performances than a standard fan coil

Years of experience have allowed us to achieve a highly efficient fan coil that reaches the best results in terms of performance and noise level, placing the fan coil series FIPA among the most efficient and quietest in the market.

Brushless Motors, available as an option, provide excellent energy savings and additional comfort in terms of noise.

FIPA fan coil is designed to be installed in ho-

zizontal and vertical built-in applications where high levels of comfort are a must .

Their easy installation and inspection grant long term high quality performances without the need of difficult cleaning .

The noise level is low.

Air flow ranging from 150m³/h to 1920m³/h.

Cooling capacity ranging from 0.6 kW to 10.5 kW.

Heating capacity ranging from 1 to 13,2 kW.



Structure

- Structure is made of galvanized metal sheet.

Insulation

- Insulation is M1 class and assures a good noise absorbing effect.

Fan

- Direct drive fan, forward blades made in galvanized steel or plastic, impeller dynamically and statically balanced, n. 6 speeds available.



Filter

- Panel filter type class G1, washable and renewable. Option class G3 also available.

Drip trays

- Made in Stainless Steel or painted.

Heat exchanger

- Standard heating/cooling coil made in copper pipes and aluminum fins.
- Air vent valve included.

Control of the unit

- The unit FIPA can be equipped with two different type of control systems.
- Controlled in room by thermostat.
- Controlled by PLC, remote, through a bus line.

Valves

- The fancoil can be equipped with 3way or 2way valve complete with actuator for ON-OFF or proportional control.
- All models are equipped with terminal box.

Options

The following option are available:

- Auxiliary coil : ACHPS special system with high performance
- Electric heating coil.
- Suction and discharge plenum with spigots and flange for circular or rectangular duct.
- Alarm signal detecting eventual motor failing.

Energy saving

- Electronic motor available.

Other important features

- cabinet in galvanized metal sheet, painted RAL9016
- grilles and covers in plastic
- the unit is studied to reach higher performance, having all the coil homogeneously crossed by the air and a larger suction surface thanks to the special filter profile.



new

Auxiliary Coil

High Performance System

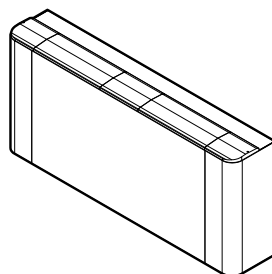
This innovative system gives the possibility to use the fancoil of the FIPA series with one single coil in a 4 pipe system.

By this way the main coil with 4 rows can receive water from the system at lower temperature than usual for getting an equivalent or even higher capacity.

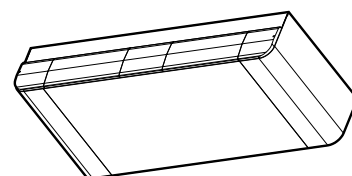
For instance the feeding water temperature can be 45°C instead of the usual 70-60°C with a relevant energy saving.

The system **ACHPS**, with its combination of special valves and thermostat, provides also the by-pass of the water in the fancoil maintaining a constant pressure in the system.

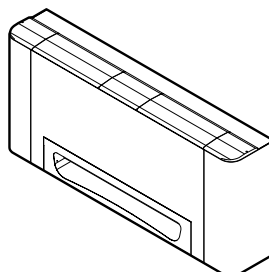
FCV Version



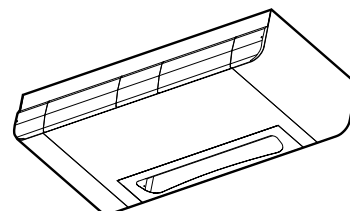
FCH Version



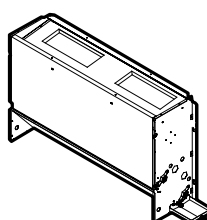
ECV version



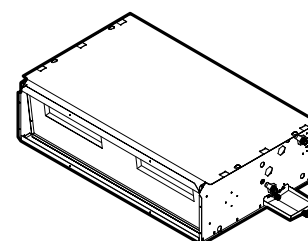
ECH version



BV version



BH version



TECHNICAL DATA			speed	21	22	23	31	32	41	42	51	61
Air flow	1	m ³ /h	400	370	370	720	720	1175	1175	1500	1920	
	2 _{max}	m ³ /h	355	330	330	590	590	1020	1020	1460	1850	
	3 _{med}	m ³ /h	290	260	260	490	490	850	850	1350	1760	
	4	m ³ /h	250	230	230	390	390	720	720	1100	1670	
	5 _{min}	m ³ /h	210	190	190	330	330	540	540	900	1560	
	6	m ³ /h	150	140	140	290	290	410	410	750	1460	
Total cooling Capacity (a)	1	kW	1.3	1.8	2.2	3.4	3.9	5.5	6.5	8.3	10.5	
	2 _{max}	kW	1.2	1.6	2	2.9	3.4	5	5.9	8	10.3	
	3 _{med}	kW	1	1.4	1.7	2.5	2.9	4.4	5.1	7.5	9.9	
	4	kW	0.9	1.3	1.5	2.1	2.4	3.9	4.5	6.4	9.5	
	5 _{min}	kW	0.7	1.1	1.3	1.9	2.1	3.2	3.7	5.5	9.1	
	6	kW	0.6	0.8	1	1.7	1.9	2.6	2.9	4.8	8.6	
Sensible capacity (a)	1	kW	1.1	1.4	1.6	2.5	2.9	4.2	4.7	6.1	7.7	
	2 _{max}	kW	1	1.3	1.4	2.2	2.5	3.8	4.3	5.8	7.4	
	3 _{med}	kW	0.8	1	1.2	1.9	2.1	3.3	3.7	5.5	7.1	
	4	kW	0.7	0.9	1.1	1.6	1.7	2.9	3.2	4.6	6.9	
	5 _{min}	kW	0.6	0.8	0.9	1.4	1.5	2.3	2.6	3.9	6.5	
	6	kW	0.5	0.7	0.7	1.2	1.4	1.8	2	3.4	6.2	
Pressure drop (a)	1	kPa	4	11.5	22.4	15.5	12.3	47	37.9	22.6	40.7	
Heating capacity (b)	1	kW	1.9	2.4	2.8	4.5	5.1	7.1	8.2	10.6	13.2	
	2 _{max}	kW	1.8	2.2	2.5	3.8	4.3	6.4	7.3	10.1	12.8	
	3 _{med}	kW	1.5	1.9	2.1	3.3	3.7	5.5	6.3	9.5	12.4	
	4	kW	1.4	1.6	1.8	2.7	3	4.9	5.5	8.1	11.8	
	5 _{min}	kW	1.2	1.4	1.6	2.4	2.6	3.9	4.3	6.8	11.2	
	6	kW	1	1.1	1.2	2.1	2.3	3.1	3.4	5.9	10.6	
Pressure drop (b)	1	kPa	3.1	10	18.4	12.7	10.1	38.6	31.1	18.5	33.1	
new ACHPS Auxiliary Coil High Performance System (b)	1	kW	1.9	2.4	2.8	4.5	5.1	7.1	8.2	10.6	13.2	
	2 _{max}	kW	1.8	2.2	2.5	3.8	4.3	6.4	7.3	10.1	12.8	
	3 _{med}	kW	1.5	1.9	2.1	3.3	3.7	5.5	6.3	9.5	12.4	
	4	kW	1.4	1.6	1.8	2.7	3	4.9	5.5	8.1	11.8	
	5 _{min}	kW	1.2	1.4	1.6	2.4	2.6	3.9	4.3	6.8	11.2	
	6	kW	1	1.1	1.2	2.1	2.3	3.1	3.4	5.9	10.6	
1 row auxiliary coil (c)	1	kW	1.9	1.8	1.8	3.3	3.3	5.1	5.1	6.7	8.4	
1 row auxiliary coil pressure drop (c)	1	kPa	5.5	5.1	5.1	21.2	21.2	7.9	7.9	15.6	27.7	
Sound power (d)	6	dB(A)	27	27	28	32	32	37	37	49	60.1	
Sound pressure (e)	6	dB(A)	18.6	18.6	19.6	23.6	23.6	28.6	28.6	40.6	51.7	
Electric heater		W	1000	1000	1000	1000	1000	2000	2000	3000	3000	
		V	230V-50Hz									
Fan absorption power	1	W	40	38	38	57	57	118	118	138	166	
	1	A	0.18	0.17	0.17	0.25	0.25	0.52	0.52	0.68	0.72	

Standard speeds are n. max-med-min. in the case of different requests. please to specify when ordering

(a) Capacity in accordance with EUROVENT specifications. Cooling with air: 27°C -47%rH and water: 7-12°C

(b) Capacity in accordance with EUROVENT specifications. Heating with air: 20°C and water: 50°C. Same water flow of conditioning.

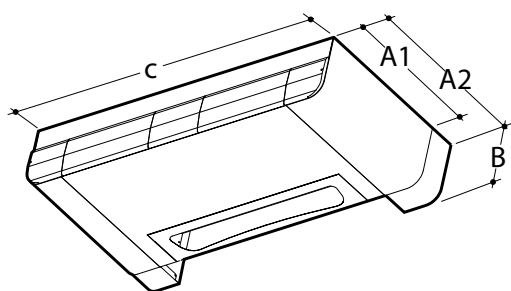
(c) Capacity in accordance with EUROVENT specifications. Heating with air: 20°C and water: 70/60°C.

(d) Sound power at 6 speed.

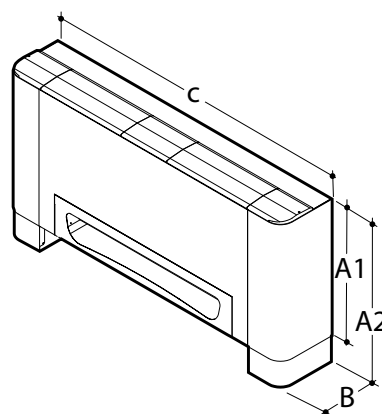
(e) Sound pressure at 6 speed: reflective surface at 1.5m. in a 100m³ room with reverberation time of 0.3s

(f) The voltage is standard 230V-50Hz

	SIZE	21	22	23	31	32	41	42	51	61
Dimensions	A1 mm	531	531	531	531	531	531	531	531	531
	A2 mm	631	631	631	631	631	631	631	631	631
	B mm	226	226	226	226	226	226	226	226	226
	C mm	898	898	898	1198	1198	1448	1448	1698	1948
Weight H	Kg	18	20	21	25	26	31	32	39	44
Weight V	Kg	18	20	21	25	26	31	32	39	44

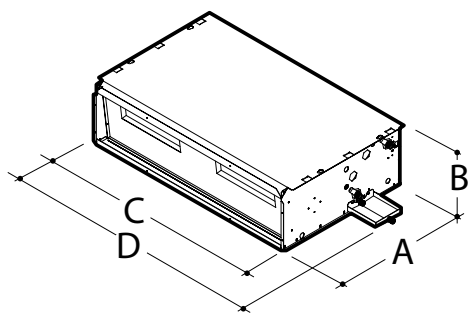


FCH/ECH Horizontal Unit with Cabinet

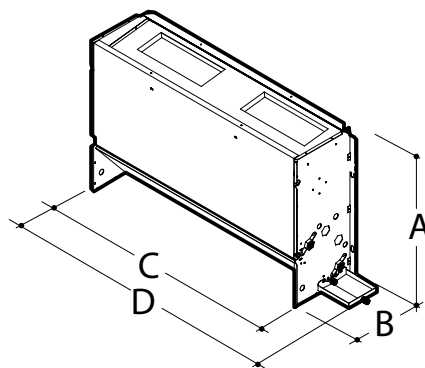


FCV/ECV Vertical Unit with Cabinet

	SIZE	21	22	23	31	32	41	42	51	61
Dimensions	A mm	500	500	500	500	500	500	500	500	500
	B mm	218	218	218	218	218	218	218	218	218
	C mm	558	558	558	818	818	1078	1078	1338	1598
	D mm	680	680	680	940	940	1200	1200	1460	1720
Weight H	Kg	14	16	17	20	21	24	25	31	34
Weight V	Kg	14	16	17	20	21	24	25	31	34



BH Horizontal Built-in Version



BV Vertical Built-in Version



Aerfor S.r.l.
Via Contarina n. 11
35028 - Piove di Sacco - Padova - Italy

Tel +39 389 2939160
fax +39 049 5806928
e-mail : info@aerfor.com
Pec: aerfor@registerpec.it
PIVA 02703580304
R.E.A. : RO-159632

www.aerfor.com